



XPRESS

SPECIAL ORDER FORM

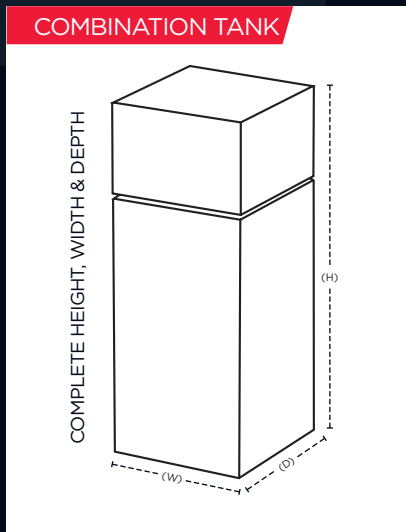
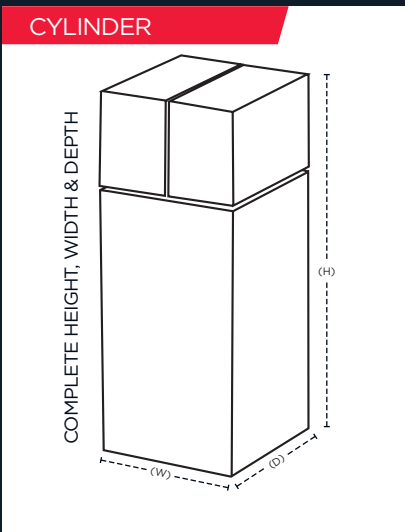
Installer Name:

Phone Number:

Order Number:

Merchant:

Size (H): (W): (D):



TAPPING POSITIONS

Please show size and position of bosses and floor to centre measurements if critical.

Don't forget shower take-offs, drain connections and secondary returns can be factory fitted!

15, 22, 28 compression with nut & olive or 1/2" up to 2" screwed connections.

Additional Details:

PLAN VIEW

COMPLETE DIAMETER

TYPE	
<input type="checkbox"/>	Direct
<input type="checkbox"/>	Indirect

Signature:

Date:

Address: Gledhill Response Ltd, Sycamore Estate, Squires Gate, Blackpool, FY4 3RL

Website: gledhill-response.net

Phone Number: 0800 3800 129

Email: response@gledhill.net

GLEDHILL.NET /

GHX_V1_221006